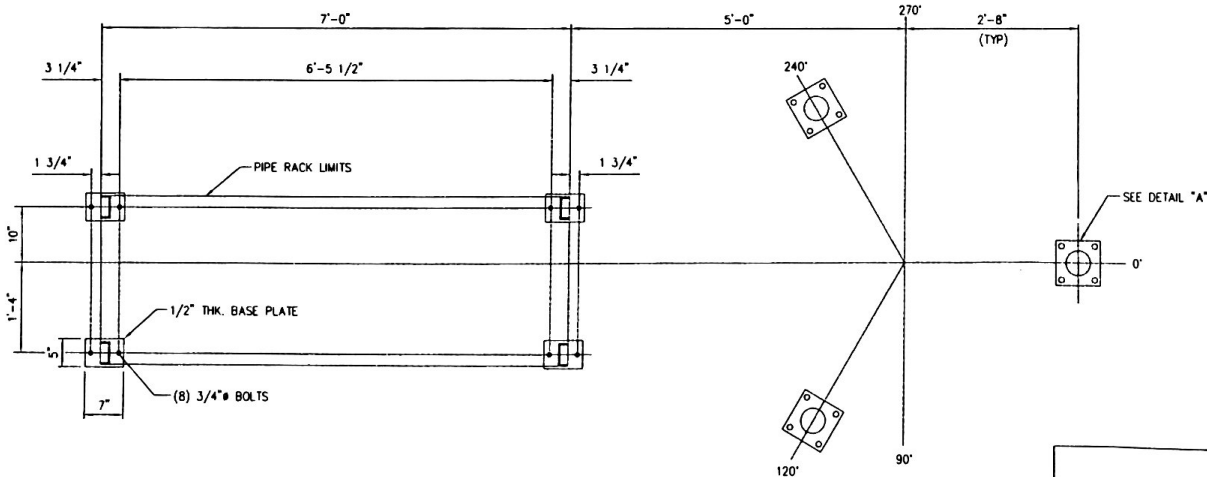
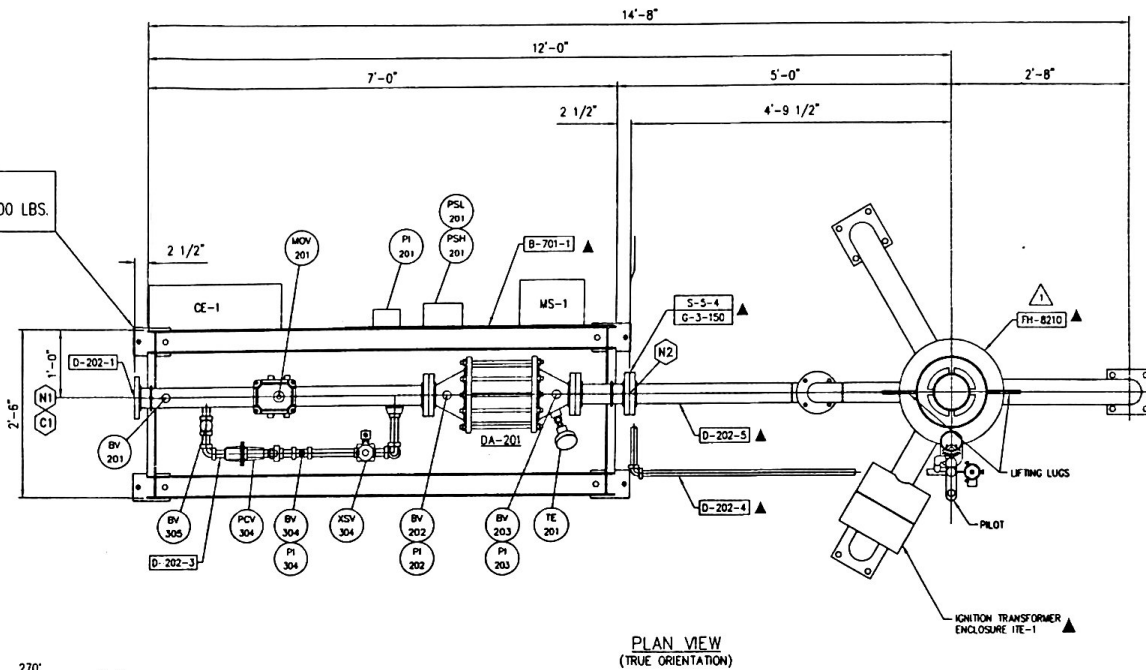


APPROX. WEIGHT OF PANEL RACK: 1500 LBS.



06018
CIE: ETHANOL
Canton, Illinois
03.20.07
File: 17.1PK8210
0180035004

▲ - INDICATES SHIP LOOSE ITEMS

FOR: LURG, INC. USER: CENTRAL ILLINOIS ENERGY JOBSITE: CANTON, IL					This drawing and the information contained herein is of a confidential nature and the property of John Zink Company and shall not be copied, traced, photographed, or reproduced in any manner nor used for any purpose whatsoever, except by written permission of John Zink Company. This drawing shall be returned to John Zink Company upon request. Copyright 2007, John Zink Company, LLC. All rights reserved.				
S.O. NO. VC-9063198 P.O. NO. 6018-70940					JOHN ZINK JOHN ZINK COMPANY LLC PARTS AND SERVICE, CALL 1-800-755-4252 FAX (818) 234-1968 GENERAL ARRANGEMENT				
1 REVISED PER CUSTOMER COMMENTS RPJ TK JS 3-15-07 BY CK APP. DATE					MODEL: LHT-1-12-20-X-1/6 DRAWING NUMBER: B-VC-9063198-202 SCALE: SHEET 1 OF 2				
REVISION DESCRIPTION					DATE: 2-12-07 DATE: 2-23-07 DATE: 2-23-07				